

SM18XQ-A-B-TM 立式称重模块

SM18X Single beam load cell

Description 主要特性

本传感器采用合金钢材质。引进用美国原材料和美国 BEAN 公司专有加工技术生产。

结构紧凑、稳定性好、精度高、安装台面低。

The sensor is made of alloy steel. Imported from the United States raw materials and American BEAN company proprietary processing technology production.

Compact structure, good stability, high precision, low installation table.

Execution standard 执行标准:

GB/T 7551-2008 Certificate

(eqv OIML R60)

Scaled to IEC 529:

Protection grade: IP67 .Protection against total

Application situation 应用场合:

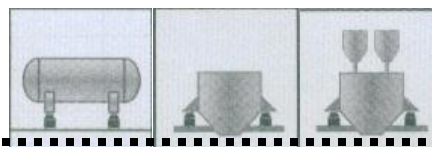
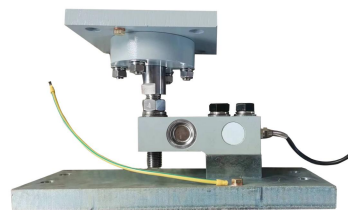
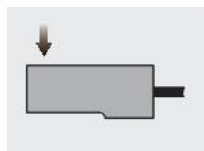
平台秤、料斗秤、罐秤、皮带秤、包装秤等。

Platform scale, hopper scale, tank scale,

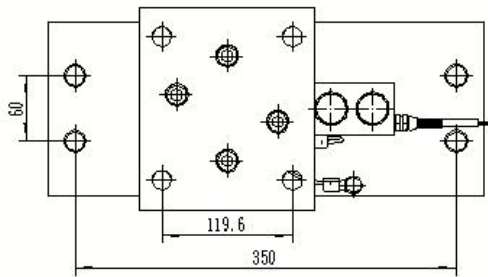
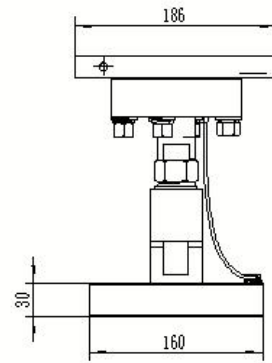
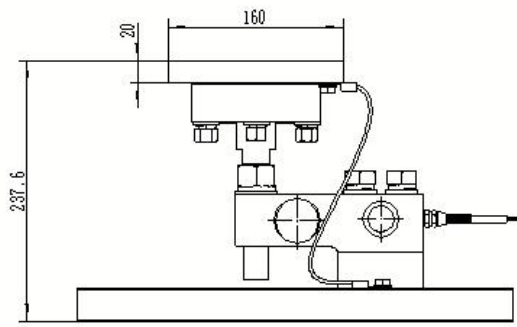
belt scale, packaging scale, etc

immersion in water for 30minutes

at a pressure corresponding to mhead of water.



外型尺寸:



Specification 技术参数:

Item 项目 \ Parameter 参数	C3	Unit 单位
Rated load 额定载荷 (Emax) :	5	t
Maximal numbers of load cell cerification. Intrevals 最大检定分度数 (NIC) :	3000	d
Maximal numbers of load cell cerification. Intrevals 最小检定分度数 (NIC) :	0.01	% of ratedload
Rated output 额定输出 (Cn) :	2.0 ± 0.1%	mV / V
*Combined error 综合误差:	0.05	±% of rated output
Temperature effect on sensitivity 灵敏度温度影响 (Tkc) :	0.02	±% of rated output / °C
Temperature effect on zero balance 零点温度影响 (TK0) :	0.02	±% of rated output / °C
Zero balance 零点平衡:	1.0	±% of rated output
Input resistance (Rlc) 输入阻抗:	380 ± 10	Ω (ohms)
Output resistance (Ro) 输出阻抗:	350 ± 5	Ω (ohms)
Insulation resistance 绝缘电阻:	≥ 5000	MΩ (Mege-Ohms)
Safe overload 安全过载:	150	±% of rated capability
Ultimate overload 极限过载:	200	±% of rated capability
Operating temperature range 工作温度范围:	- 30 ~ + 85	°C
Recommend excitation 推荐工作电压	5 ~ 12	V (DC or AC)
Maximum excitation 最大工作电压:	15	V (DC or AC)
Material of elastomer 弹性体材料:	Alloy steel 合金钢 / Stainless steel 不锈钢	
Protection class 防护等级	IP67/IP68	

The data for deviation of synthesis error, TKo, TKc, are typicl values. The sum of these data meets the requirements according to OIML R60.

综合误差为理论值, 它最终将符合 OIML R60 中的相应条款的要求。

Copyright 版权声明:

Modifications reserved

All details describe our products in general from only.

They are not to be understood as express waeceanty and do not constitute liability whatsoever.

版权和声明

此数据表内的所有技术数据均来自于本公司的常规产品;

本公司保留更改和提高产品性能所做的必要的修改, 并无义务事先通知;

此数据表内的所有数据或条款并不为索赔, 保证, 保修等法律责任;

未经本公司的书面同意, 不得复制此页面中的任何文字或图片。